

OR BASNW3.5 C

ORTA Tap Range Orta Basin Mixer No Waste Chrome ECO BAS3.5 Flow Staightener



Specification

Product Type:	Bathroom Taps
Main Construction Material:	Brass
Mount Type:	Deck Mounted
Handle Type:	Lever handle
Connection Inlet:	1/2" BSP Flexible Tails
Connection Outlet:	M24 3.5lpm Flow Limited Aerator
Number of Tap Holes:	1
Valve/Cartridge Type:	35mm Cartridge
Plumbing System Requirements:	Suitable for all plumbing systems
Minimum Dynamic Pressure (bar):	0.2 bar
Maximum Dynamic Pressure (bar):	5.0 bar
Maximum Hot Water Temperature °C:	65°C
Maximum Static Pressure (bar):	10 bar
Flow Type:	Single Flow
Isolation Included:	No

Features:

- Long life ceramic cartridge for added durability and ease of use
- Metal fixing nut for added durability

Product Certifications:



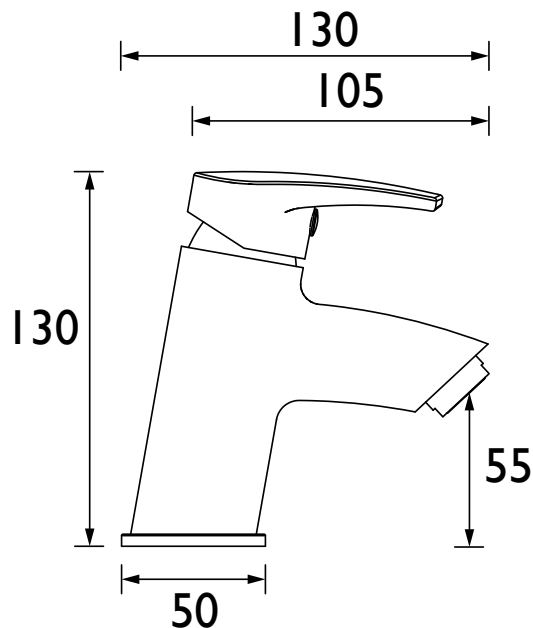
WRAS Certificate No: 2203907
WRAS Expiry Date: 31/03/2027



For more products, visit our website:
<http://www.bristan.com>



Dimensions (measurements in mm)



Flow Rates (l/min)

System Pressure (bar)	0.2	0.5	1	2	3	5
OR BASNW3.5 C (mixed)	3.5	3.5	3.5	3.5	3.5	3.5

TECHNICAL DATA SHEET



BRISTAN

D5